



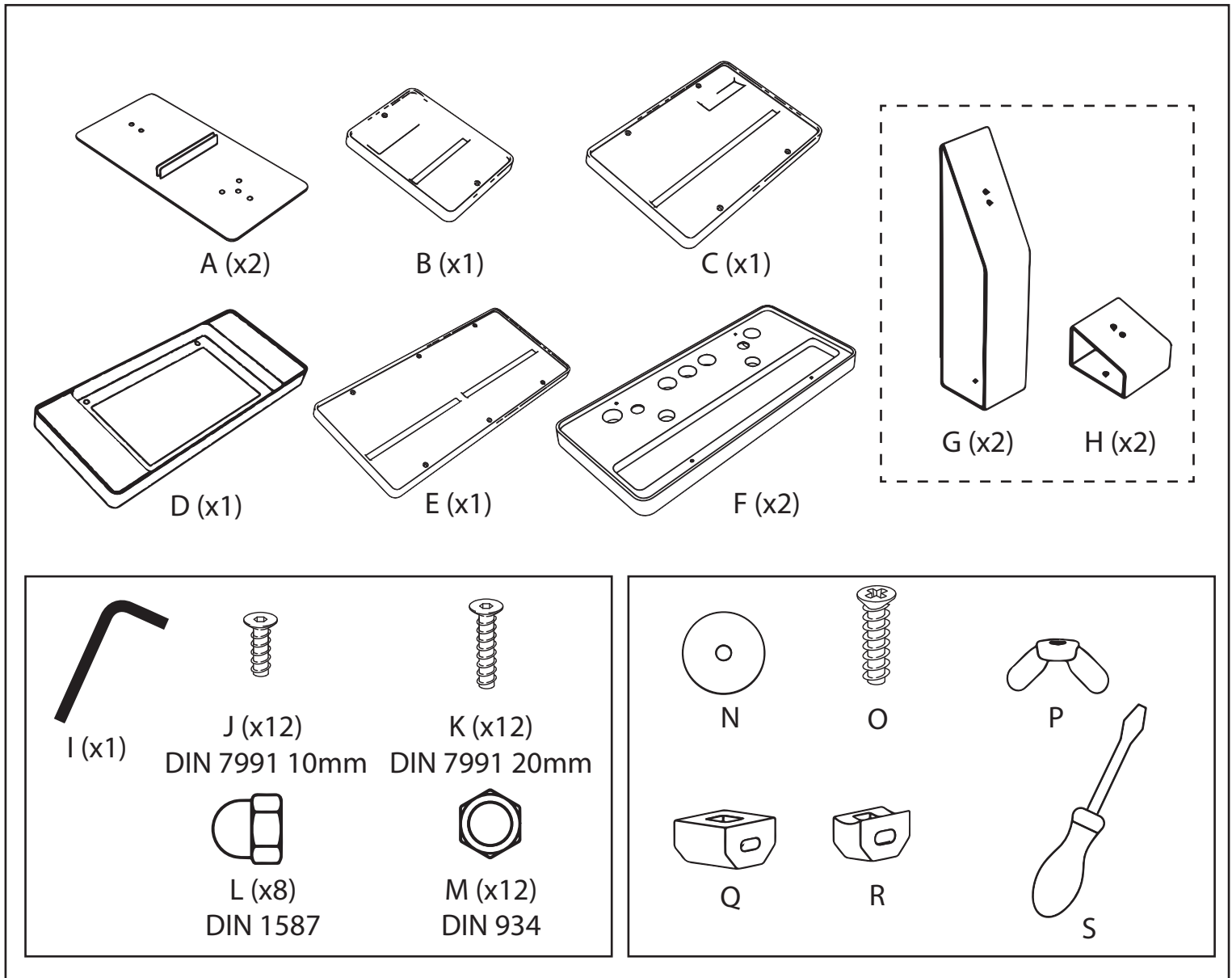
SCAN ME

IQOS

INSTRUCTION MANUAL 22. L DISPLAY BAR DIGITAL 10159066



INSTRUCTION MANUAL L DISPLAY BAR DIGITAL



IMPORTANT: KEEP INSTRUCTIONS FOR FUTURE REFERENCE.

Read the instructions before assembling the product.

Do not store in direct sunlight.

Keep away from heat sources such as open fires or similar hazards.

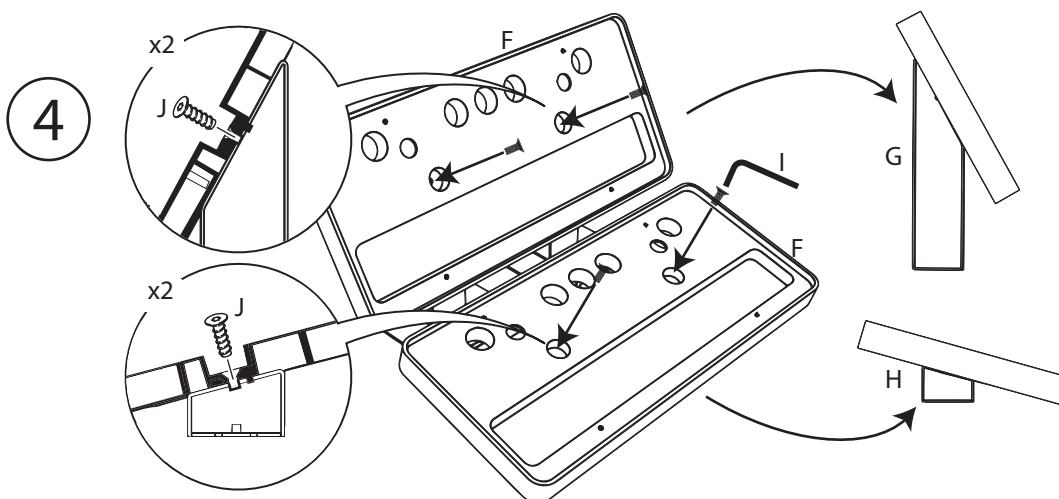
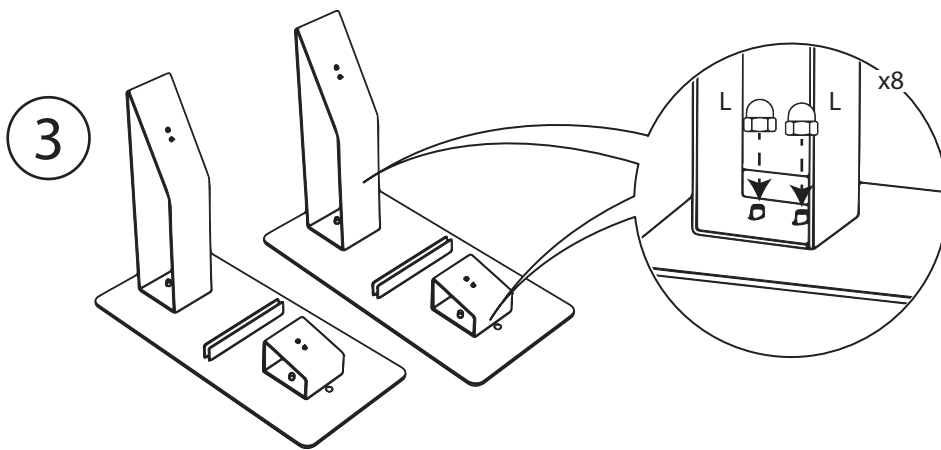
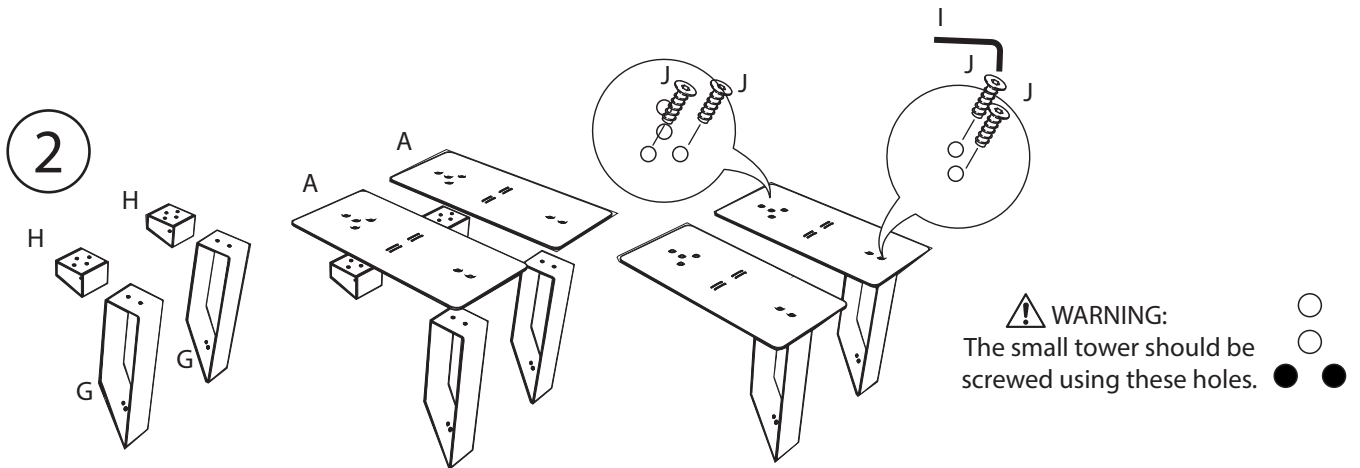
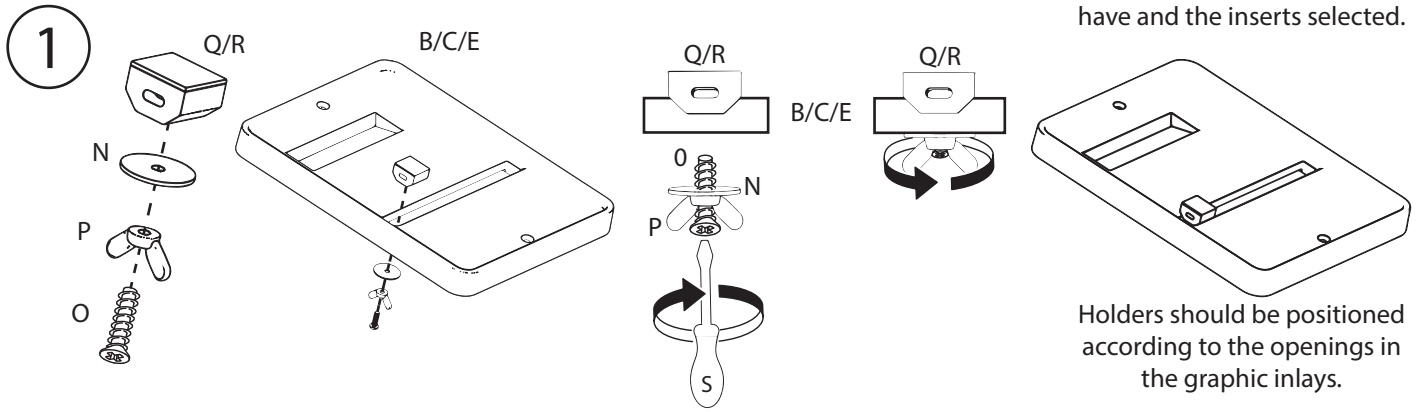
KEEP AWAY FROM FIRE.

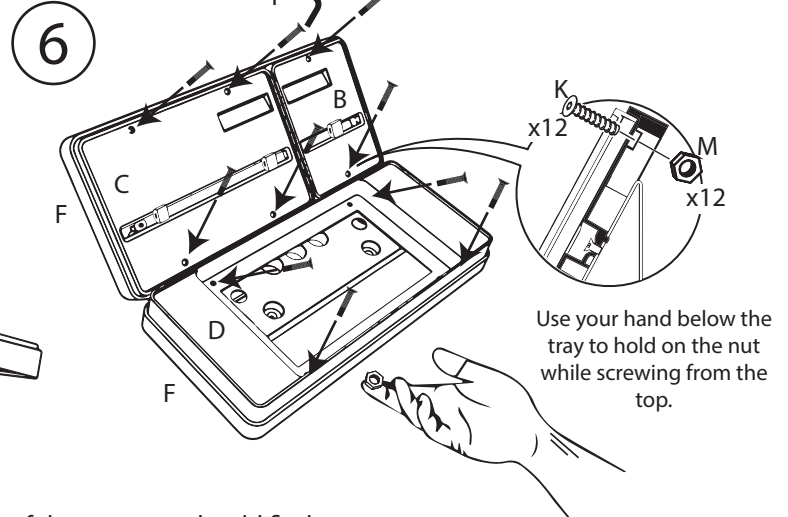
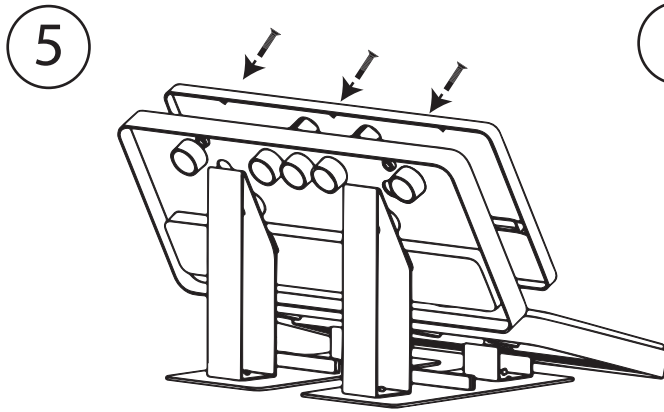
Do not use aggressive chemicals including alcohol to clean.

Use a soft cloth to clean the product.

Boxes are heavy. Make sure they don't fall over, otherwise the product can be damaged.

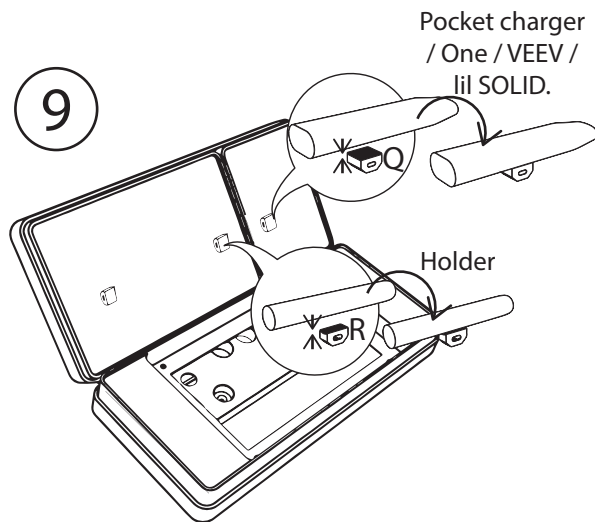
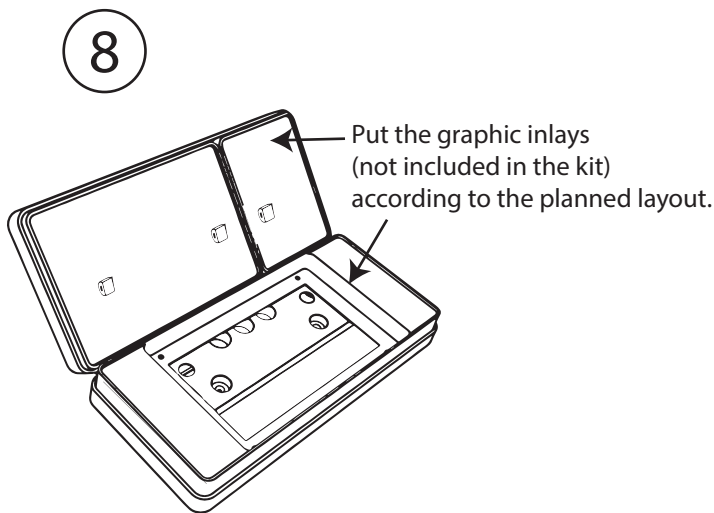
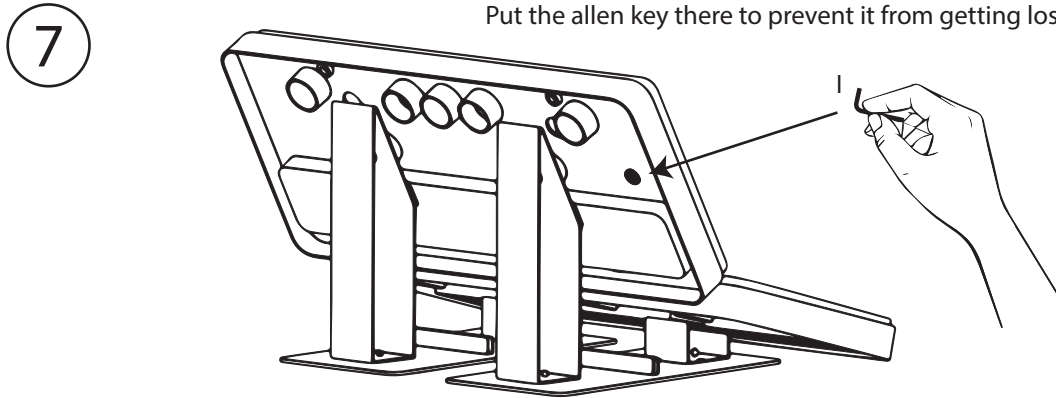
* Use this step depending on the quantity of products you have and the inserts selected.





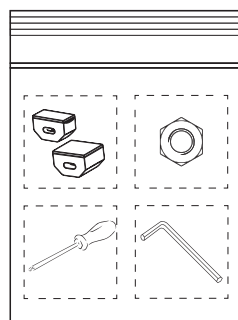
Use your hand below the tray to hold on the nut while screwing from the top.

Behind one of the trays you should find a magnet. Put the allen key there to prevent it from getting lost.



⚠ WARNING:

Products should be degreased with some alcohol before attaching them to the product holders. DST gains full strenght after 24h.



At the end of the assembly you should have some pieces left over.

The inserts can be exchanged:

