



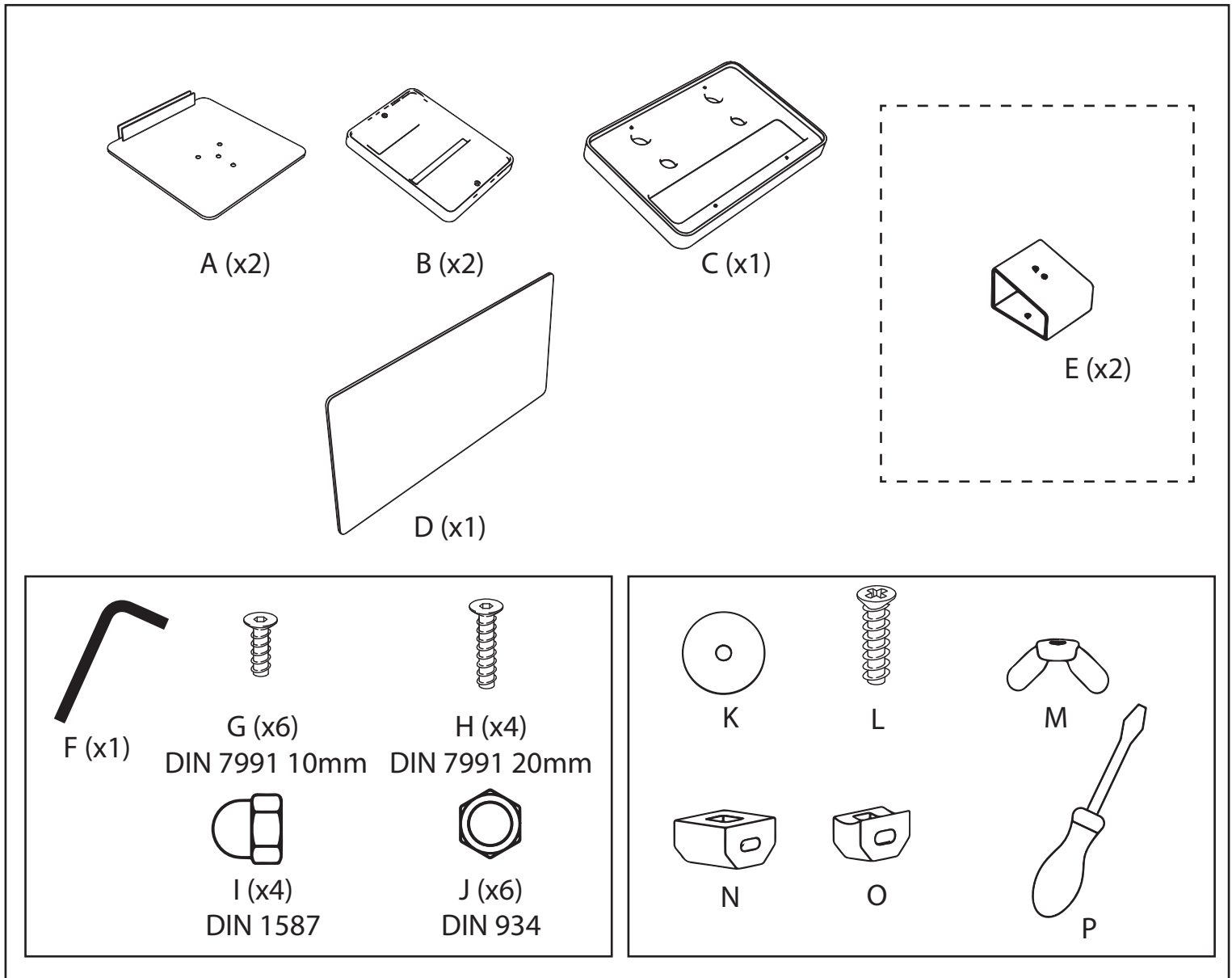
SCAN ME

# IQOS

## INSTRUCTION MANUAL ON - COUNTER DISPLAY 2 SLOTS



# INSTRUCTION MANUAL ON - COUNTER DISPLAY 2 SLOTS



**IMPORTANT: KEEP INSTRUCTIONS FOR FUTURE REFERENCE.**

Read the instructions before assembling the product.

Do not store in direct sunlight.

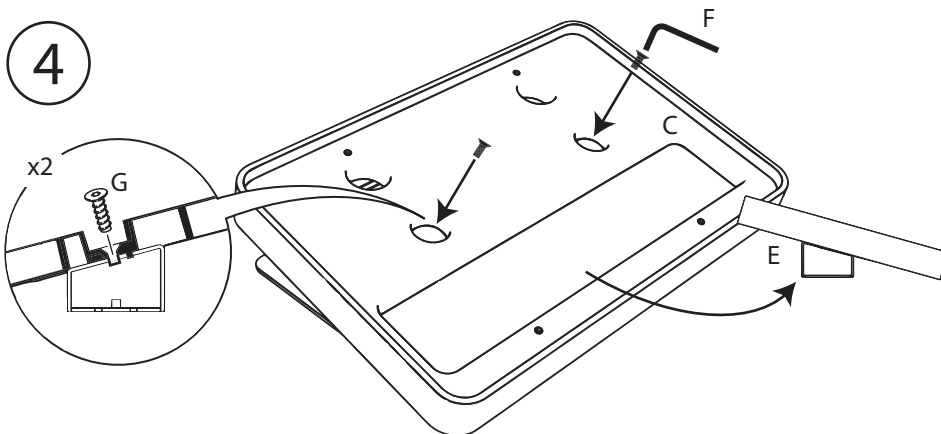
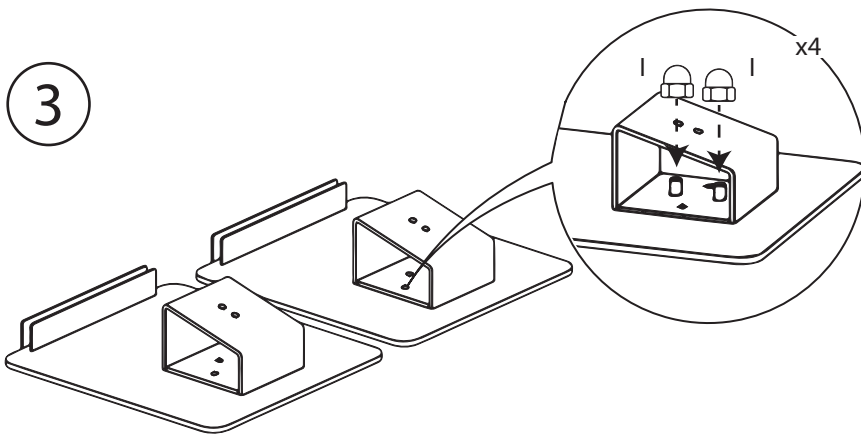
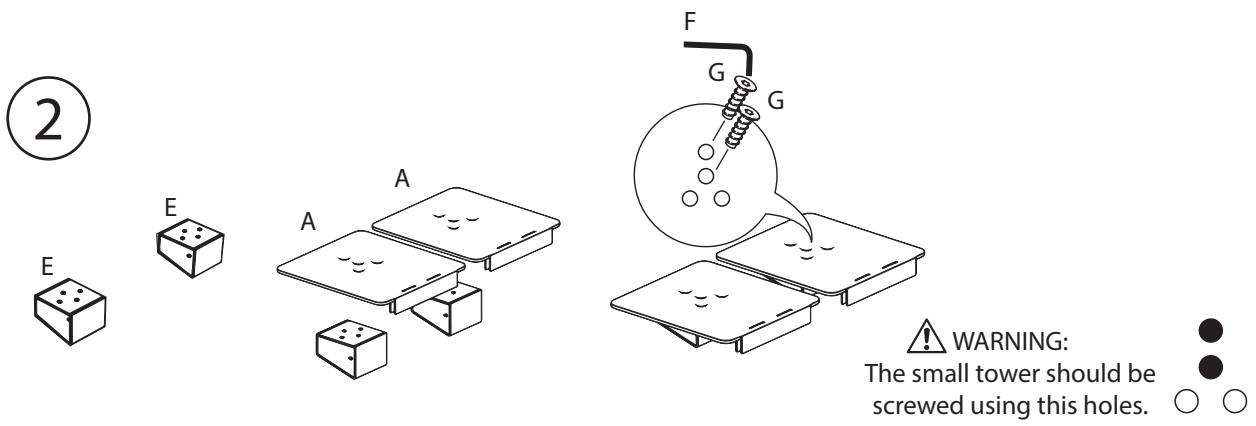
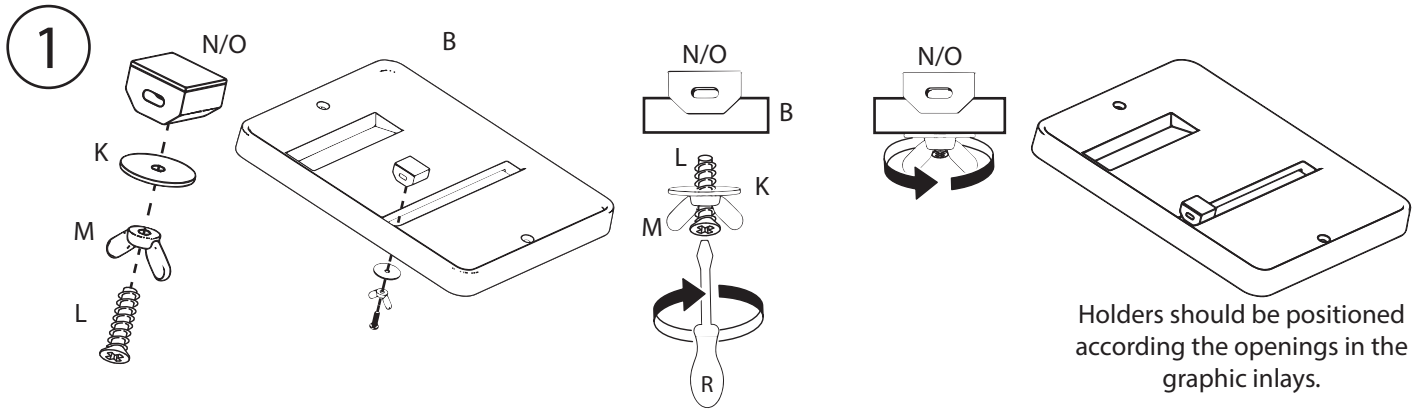
Keep away from heat sources such as open fires or similar hazards.

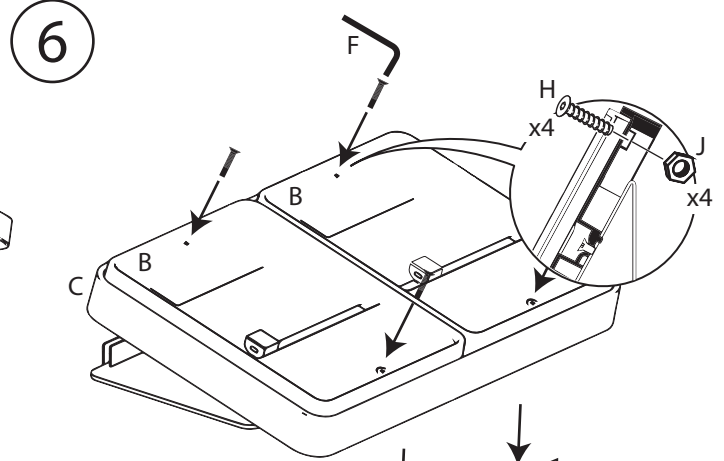
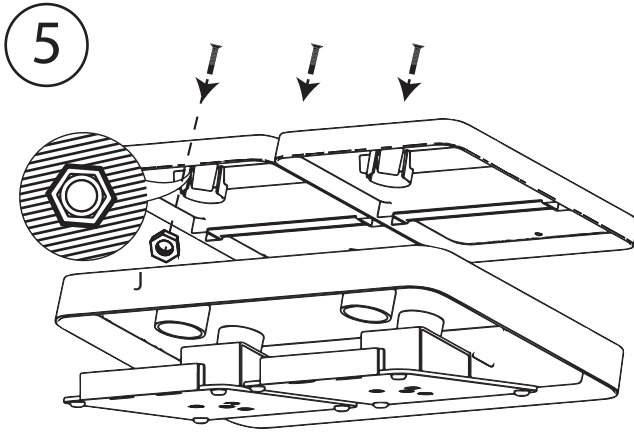
**KEEP AWAY FROM FIRE.**

Do not use aggressive chemicals including alcohol to clean.

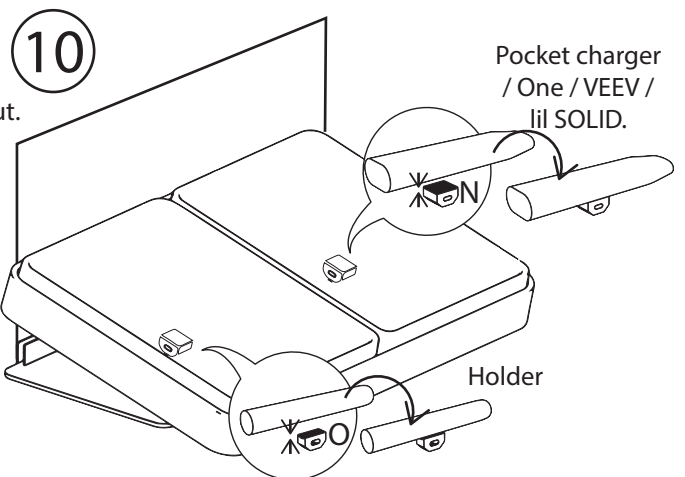
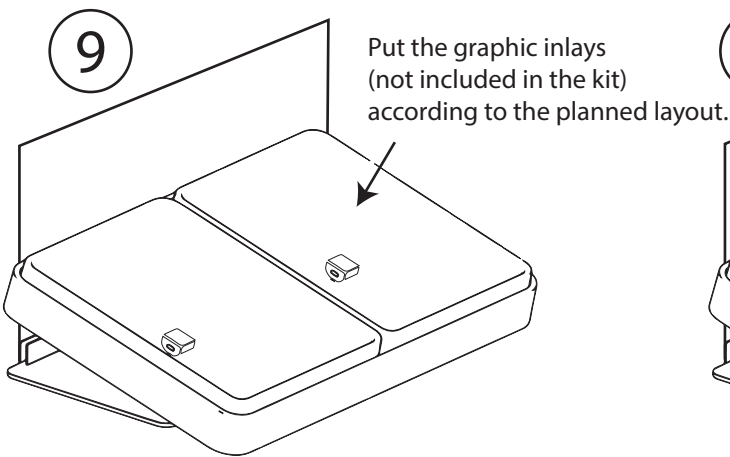
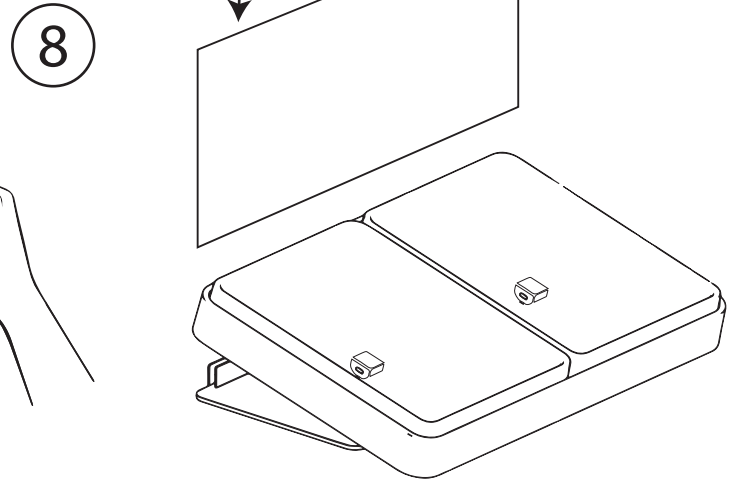
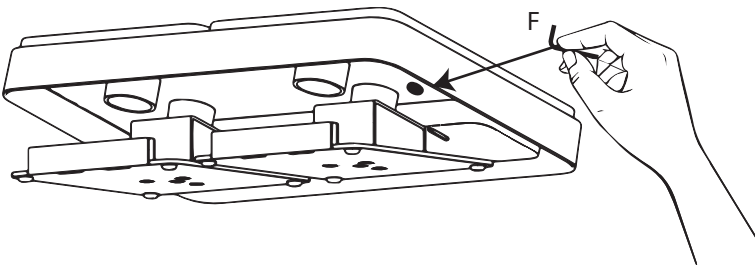
Use a soft cloth to clean the product.

Boxes are heavy. Make sure they don't fall over, otherwise the product can be damaged.



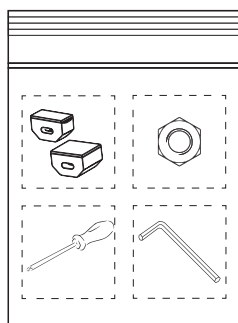


7 Behind one of the trays you should find a magnet. Put the allen key there to prevent it from getting lost.



⚠ WARNING:

Products should be degreased with some alcohol before attaching them to the product holders. DST gains full strenght after 24h.



At the end of the assembly you should have some pieces left over.